

SRDRST and SRDRKP

Smart Readers
Section 28 13 00



DATA SHEET

Key Features

Unit Interface Capabilities

Model SRDRST - Standard Single Gang: None

Communication Capabilities

Model SRDRKP - Standard Keypad - 10-Key keypad

Mobile Compatibility

Mobile BLE; 125 KHz Proximity; 13.56 MHz Smart

User Feedback

Works with Works with myQ community app for iOS, Android and AppleWatch

Tri-state LED light bar (red, green, amber) and audible beeper

Specifications

Connectivity

Dependent on Door Controller: CAPXLV; CAPXM, CAPXS or CAP2D

Power Supply Voltage

5-16 V DC

(Power Supply not included)

Current

SRDRST - 120 mA average, 170 mA peak

SRDRKP - 145 mA average, 195 mA peak

Wiegand Input Data Format

26 BIT, 30 BIT, 37 BIT (HID), 37 BIT (Transcore),

32 BIT (MiFare) , 36 BIT Proximity, 56 BIT Smart

Mounting Options

Single Gang, Surface Mount

Operating Temperature

UL™ tested -35° to 66°C and EN -40° to 70°C and 95% humidity

Anti-Tamper Notification

Accelerometer-based tamper detection

Warranty

1 year

Construction

Country of Origin

United States

Material

Reader electronics are conformally coated in a silicone water resistant coating

Regulatory

UL294 Compliant

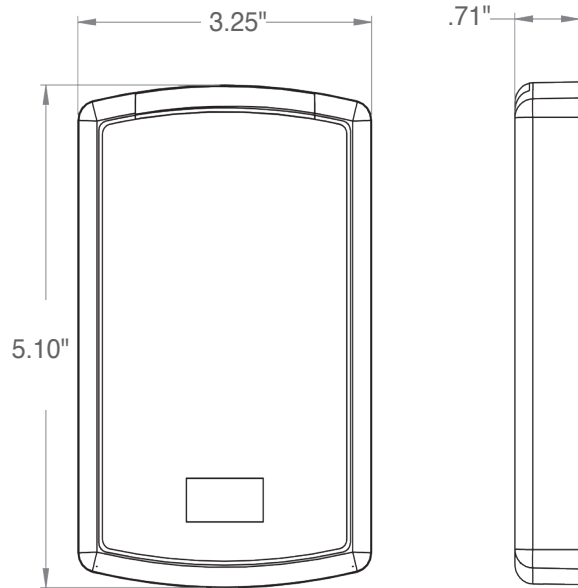
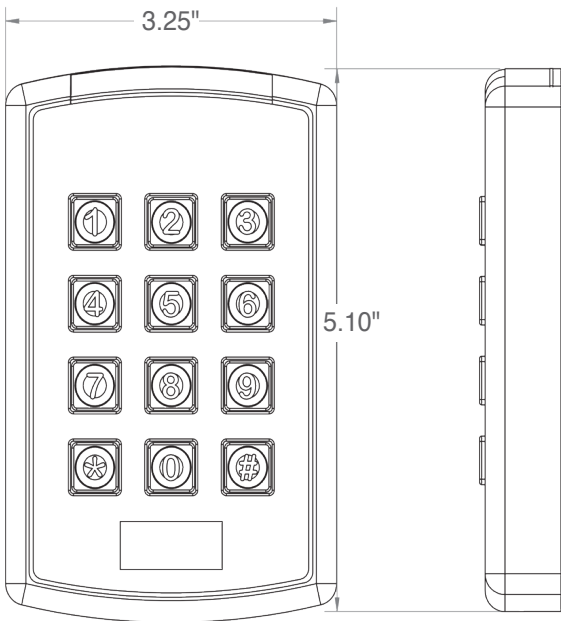
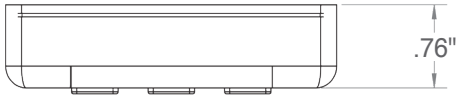
LiftMaster

SRDRST and SRDRKP

DATA SHEET

Smart Readers
Section 28 13 00

Dimensions



SRDRKP **SRDRST**

Cable Length Recommendations

Weigand	
Feet	AWG
200	22
300	20
500	18